

LTC4217

2A Integrated Hot Swap Controller

DESCRIPTION

Demonstration circuit 1051A includes two separate circuits for performance evaluation of the LTC[®]4217 2A integrated Hot Swap[™] controller. This integrated circuit includes a power MOSFET to save board area and to minimize external component count. The standard version of the controller (LTC4217) is intended to operate with 2.9V to 26.5V rails, while the LTC4217-12 has internal adjustment for 12V applications.

The circuit of DC1051A located on the upper board area is assembled with the LTC4217 configured for operation with a 24V rail. The lower circuit includes the LTC4217-12. Current limit features of both circuits are identical, with 5% accuracy and a distinctive foldback property.

The LTC4217 features a ground-referred current monitor. The current monitor sources a current that is proportional

to the sense voltage and it may be converted to a voltage signal with an appropriate resistor.

The current limit may be reduced by placing an external resistor between GND and the ISET pin.

The DC1051A schematic allows the LTC4217 to operate in turn-on and turn-off modes as well as in the steady-state mode with different loads, and in the fault mode.

The LTC4217 features an overtemperature protection circuit, and protects the load from overvoltage and undervoltage conditions.

Design files for this circuit board are available at <http://www.linear.com/demo>

LT, LT, LTC, LTM, Linear Technology and the Linear logo are registered trademarks and Hot Swap is a trademark of Linear Technology Corporation. All other trademarks are the property of their respective owners.

PERFORMANCE SUMMARY Specifications are at T_A = 25°C

SYMBOL	PARAMETER	CONDITIONS	MIN	TYP	MAX	UNITS
24V Circuit						
V _{DD}	Input Supply Range	Typical Value	19.9	24	26.3	V
V _{DD(UVL)}	Input Supply Undervoltage Range	V _{DD} Rising	19.12	19.9	20.30	V
V _{DD(OVH)}	Input Supply Overvoltage Range	V _{DD} Rising	25.32	26.3	27.38	V
t _{TIMER}	Timer Period		0.9	1.235	1.76	ms
I _{LIM}	Current Limit Value	V _{FB} = 1.235V (V _{OUT} in the Range 20.3V to 21.2V)	1.9	2	2.1	A
		V _{FB} = 0V to 0.15V (V _{OUT} in the Range 0V to 2.5V)	0.35	0.5	0.7	A
C _{MAX24}	Maximal Load Capacitance	For Successful Power-Up		900		μF
C _{MIN24}	Minimal Load Capacitance	For Unsuccessful Power-Up		3500		μF
12V Circuit						
V _{DD}	Input Supply Range	Typical Value	9.88	12	15.05	V
V _{DD(UVL)}	Input Supply Undervoltage Range	V _{DD} Rising	9.6	9.88	10.2	V
V _{DD(OVH)}	Input Supply Overvoltage Range	V _{DD} Rising	14.7	15.05	15.4	V
t _{TIMER}	Timer Period	V _{TIMER} Rising	0.9	1.235	1.76	ms
I _{LIM}	Current Limit Value	V _{FB} = 1.235V (V _{OUT} in the Range 10.15V to 10.6V)	1.9	2	2.1	A
		V _{FB} = 0V to 0.15V (V _{OUT} in the Range 0V to 1.15V)	0.35	0.5	0.7	A
C _{MAX12}	Maximal Load Capacitance	For Successful Power-Up		1000		μF
C _{MIN12}	Minimal Load Capacitance	For Unsuccessful Power-Up		4000		μF

dc1051af

OPERATING PRINCIPLES

The LTC4217 is suited for low voltage applications such as hot board insertion and removal. The LTC4217 has a rich set of features to support Hot Swap applications including:

- Integrated power MOSFET for a compact Hot Swap solution
- 2% accurate undervoltage and overvoltage protection
- Adjustable 5% accurate current limit
- Adjustable inrush current control
- Load current monitoring
- Adjustable current limit timer before power is turned off
- Power good signaling

QUICK START PROCEDURE

Demonstration circuit 1051 is easy to set up to evaluate the performance of the LTC4217. Refer to Figure 1 for the proper measurement equipment setup and follow the procedure below.

For the 24V circuit:

1. Place jumpers in the following positions:
JP1 $\overline{\text{FAULT}}$ Signal
JP2 AUX_UV ON
2. With power off, connect the 24V power supply terminals to the 24V_{IN} (E1) and GND (E3) turrets.
3. Turn on the 24V supply and verify the output voltage between the V_{OUT} (E7) and GND (E8) turrets. Two green LEDs, 24V_{IN} (D2) and V_{OUT} (D6), should light up.
4. Check the current limit using an electronic or resistive load. It should be in the range of 1.9A to 2.1A if an overcurrent condition occurs while the output is high (after powering up properly). If the output is shorted initially, the load current will be limited in the range of 0.475A to 0.525A due to the foldback characteristic. Current may be monitored on the IMON test point during this measurement. The IMON signal scale is 1V/A.

An overcurrent condition is indicated by red LED $\overline{\text{FAULT}}$ (D3) and red LED PG (D4).
5. Check the output voltage slew rate with an oscilloscope, without a load connected. It takes 43.6ms to 160ms for the output voltage to power up completely.

6. Use a 900 μ F capacitive load to demonstrate that power up mode completes successfully. Use a current probe to verify that inrush current is limited initially by the foldback characteristic and later by the low output voltage slew rate.
7. Use a 3500 μ F capacitive load to demonstrate that the part not only enters into the current limit state but operates in this state until the timer period expires.

For the 12V circuit:

8. Place jumpers in the following positions:
JP3 $\overline{\text{FAULT}}$ Signal
JP4 AUX_UV ON
9. With power off, connect the 12V power supply terminals to the 12V_{IN} (E9) and GND (E12) turrets.
10. Turn on the 12V supply and verify the output voltage at the V_{OUT} (E15) and GND (E16) turrets. Green LEDs 12V_{IN} (D8) and V_{OUT} (D12) should light.
11. Check the current limit using an electronic or resistive load. It should be in the range of 1.9A to 2.1A. During this measurement verify the current monitor performance. The monitor signal related to the current limit level should be 1.9V to 2.1V.
12. Check the output voltage slew rate with an oscilloscope, without a load connected. It should take from 21ms to 80ms for the output voltage to rise to 12V.

QUICK START PROCEDURE

13. Use a 1000 μ F capacitive load to demonstrate that the part powers up without fault. Use a current probe to observe that inrush current is limited by the low output voltage slew rate.

14. Use a 4000 μ F capacitive load to demonstrate that the part enters the current limit state, and operates in this state until the timer period expires. The $\overline{\text{FAULT}}$ red LED (D9) indicates this state accompanied by the PG red LED, which shows that the output voltage is lower than the power good level.

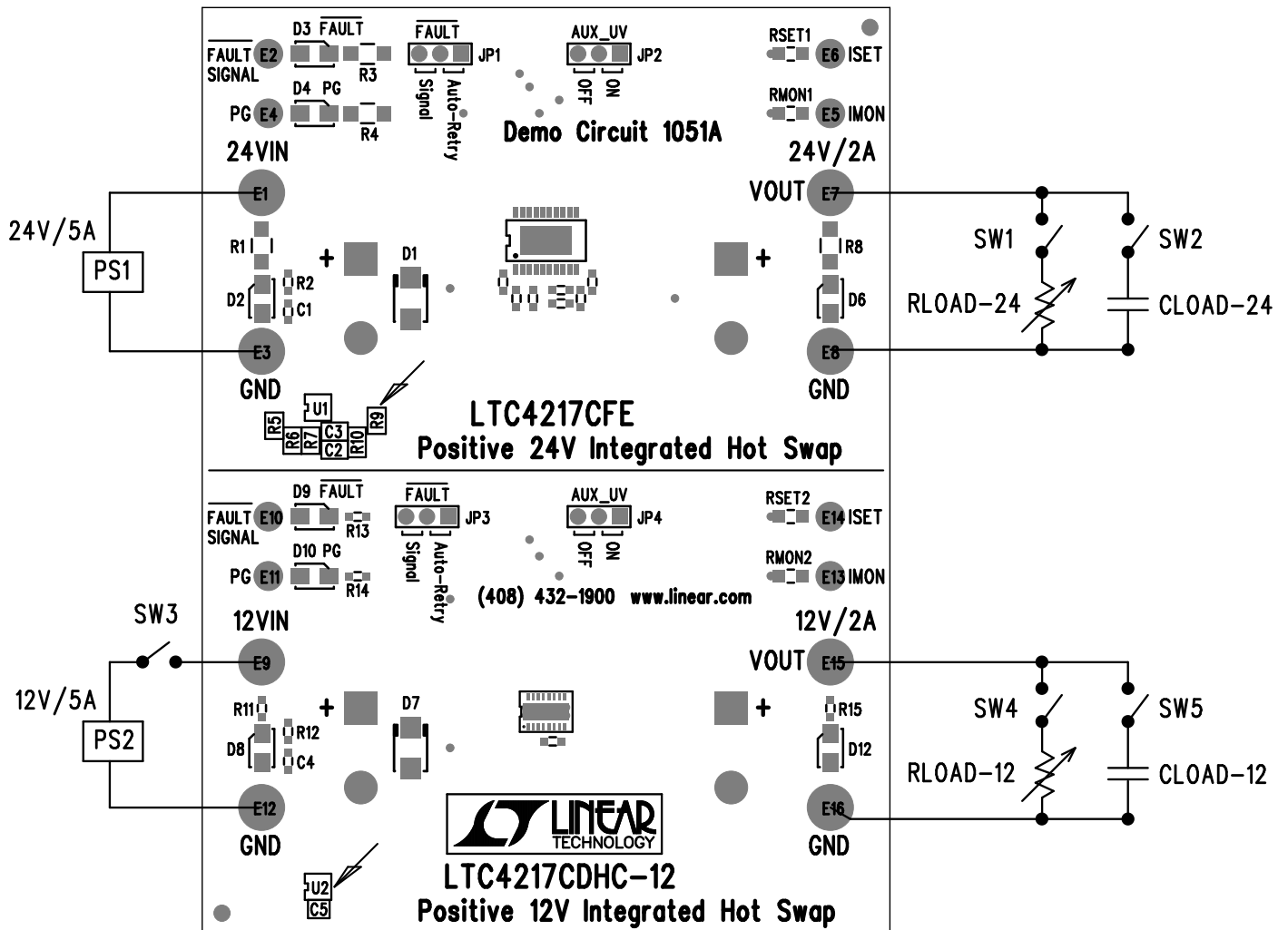


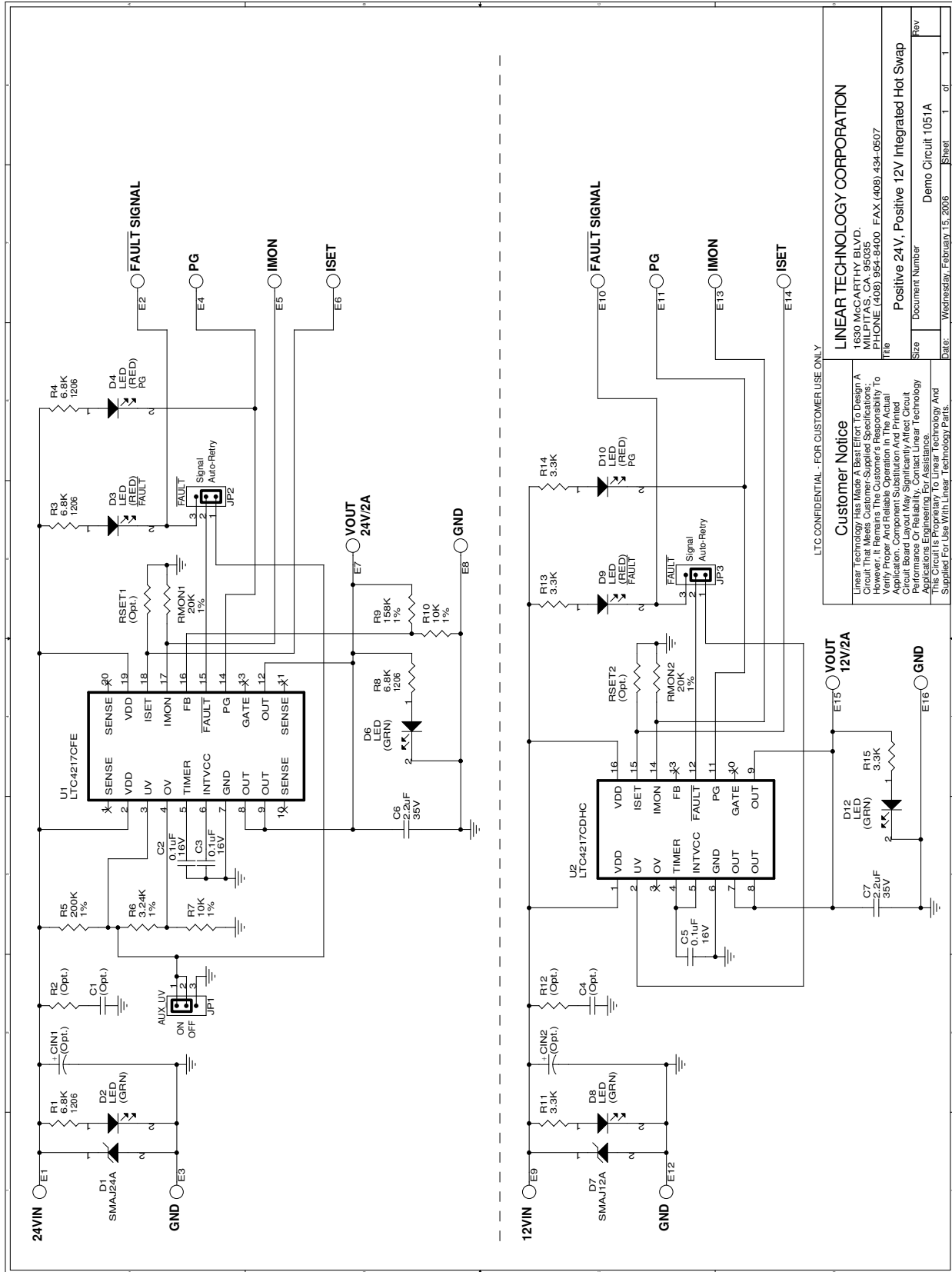
Figure 1. Measurement Equipment Setup

DEMO MANUAL DC1051A

PARTS LIST

ITEM	QTY	REFERENCE	PART DESCRIPTION	MANUFACTURER/PART NUMBER
1	3	C2, C3, C5	CAP., CER X7R 0.1 μ F 16V 0603	AVX 0603YC104KAT2A
2	0	C1, C4, CIN1, CIN2, COUT1, COUT2	OPTIONAL	
3	8	E2, E4, E5, E6, E10, E11, E13, E14	TURRET, TEST PIN, .061"	MILL-MAX 2308-2-00-44
4	8	E1, E3, E7, E8, E9, E12, E15, E16	TURRET, TEST PIN, .095"	MILL-MAX 2501-2
5	4	JP1 - JP4	JUMPER, 0.079, 3PIN	SAMTEC, TMM-103-02-L-S
6	4	JP1 - JP4	SHUNT	SAMTEC, 2SN-BK-G
7	4	D3, D4, D9, D10	LED, SMT RED	PANASONIC, LN1251C
8	4	D2, D6, D8, D12	LED, SMT GREEN	PANASONIC, LN1351C
9	1	D1	DIODE, 400W TRANSIENT VOLTAGE SUPPRESSOR	DIODES INC., SMAJ24A
10	1	D7	DIODE, 400W TRANSIENT VOLTAGE SUPPRESSOR	DIODES INC., SMAJ12A
11	1	R6	RES., CHIP, 3.24k 1/16W 1% 0603	VISHAY, CRCW06033K24FKTA
12	4	R11, R13, R14, R15	RES., CHIP, 3.30k 1/16W 5% 0603	VISHAY, CRCW06033K30JEA
13	4	R1, R3, R4, R8	RES., CHIP, 6.80k 1/4W 5% 1206	VISHAY, CRCW12066K80JNEA
14	2	R7, R10	RES., CHIP, 10k 1/16W 1% 0603	VISHAY, CRCW060310K0FEA
15	2	RMON1, RMON2	RES., CHIP, 20k 1/16W 5% 0805	VISHAY, CRCW080520K0JEA
16	1	R9	RES., CHIP, 158k 1/16W 1% 0603	VISHAY, CRCW0603158KFEA
17	1	R5	RES., CHIP, 200k 1/16W 1% 0603	VISHAY, CRCW06032003F
18	0	RSET1, RSET2, R2, R12	OPTIONAL	OPT
19	1	U1	IC., HOT SWAP CONTROLLER	LINEAR, LTC4217CFE
20	1	U2	IC., HOT SWAP CONTROLLER	LINEAR, LTC4217CDHC-12

SCHEMATIC DIAGRAM



LTC CONFIDENTIAL - FOR CUSTOMER USE ONLY

Customer Notice	
Linear Technology Has Made A Best Effort To Design A Circuit That Meets Customer-Supplied Specifications; However, It Remains The Customer's Responsibility To Verify The Circuit Meets Their Application, Component Substitution And Printed Circuit Board Layout May Significantly Affect Circuit Performance Or Reliability. Contact Linear Technology Applications Engineering For Assistance.	
Supplied For Use With Linear Technology Parts.	
LINEAR TECHNOLOGY CORPORATION	
1630 MCCARTHY BLVD. MILPITAS, CA. 95035 PHONE (408) 954-8400 FAX (408) 434-0507	
Title: Positive 24V, Positive 12V Integrated Hot Swap	
Size	Document Number
Rev	Demo Circuit 1051A
Date: Wednesday, February 15, 2006	Sheet 1 of 1

DEMO MANUAL DC1051A

DEMONSTRATION BOARD IMPORTANT NOTICE

Linear Technology Corporation (LTC) provides the enclosed product(s) under the following **AS IS** conditions:

This demonstration board (DEMO BOARD) kit being sold or provided by Linear Technology is intended for use for **ENGINEERING DEVELOPMENT OR EVALUATION PURPOSES ONLY** and is not provided by LTC for commercial use. As such, the DEMO BOARD herein may not be complete in terms of required design-, marketing-, and/or manufacturing-related protective considerations, including but not limited to product safety measures typically found in finished commercial goods. As a prototype, this product does not fall within the scope of the European Union directive on electromagnetic compatibility and therefore may or may not meet the technical requirements of the directive, or other regulations.

If this evaluation kit does not meet the specifications recited in the DEMO BOARD manual the kit may be returned within 30 days from the date of delivery for a full refund. **THE FOREGOING WARRANTY IS THE EXCLUSIVE WARRANTY MADE BY THE SELLER TO BUYER AND IS IN LIEU OF ALL OTHER WARRANTIES, EXPRESSED, IMPLIED, OR STATUTORY, INCLUDING ANY WARRANTY OF MERCHANTABILITY OR FITNESS FOR ANY PARTICULAR PURPOSE. EXCEPT TO THE EXTENT OF THIS INDEMNITY, NEITHER PARTY SHALL BE LIABLE TO THE OTHER FOR ANY INDIRECT, SPECIAL, INCIDENTAL, OR CONSEQUENTIAL DAMAGES.**

The user assumes all responsibility and liability for proper and safe handling of the goods. Further, the user releases LTC from all claims arising from the handling or use of the goods. Due to the open construction of the product, it is the user's responsibility to take any and all appropriate precautions with regard to electrostatic discharge. Also be aware that the products herein may not be regulatory compliant or agency certified (FCC, UL, CE, etc.).

No License is granted under any patent right or other intellectual property whatsoever. **LTC assumes no liability for applications assistance, customer product design, software performance, or infringement of patents or any other intellectual property rights of any kind.**

LTC currently services a variety of customers for products around the world, and therefore this transaction **is not exclusive**.

Please read the DEMO BOARD manual prior to handling the product. Persons handling this product must have electronics training and observe good laboratory practice standards. **Common sense is encouraged.**

This notice contains important safety information about temperatures and voltages. For further safety concerns, please contact a LTC application engineer.

Mailing Address:

Linear Technology
1630 McCarthy Blvd.
Milpitas, CA 95035

Copyright © 2004, Linear Technology Corporation