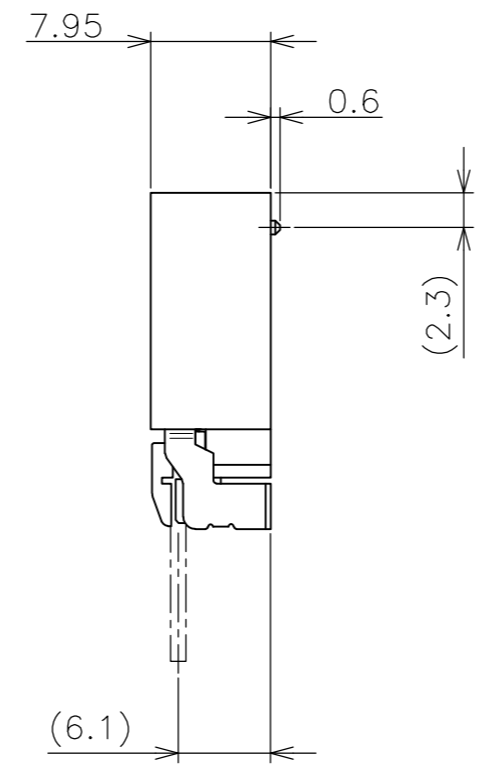
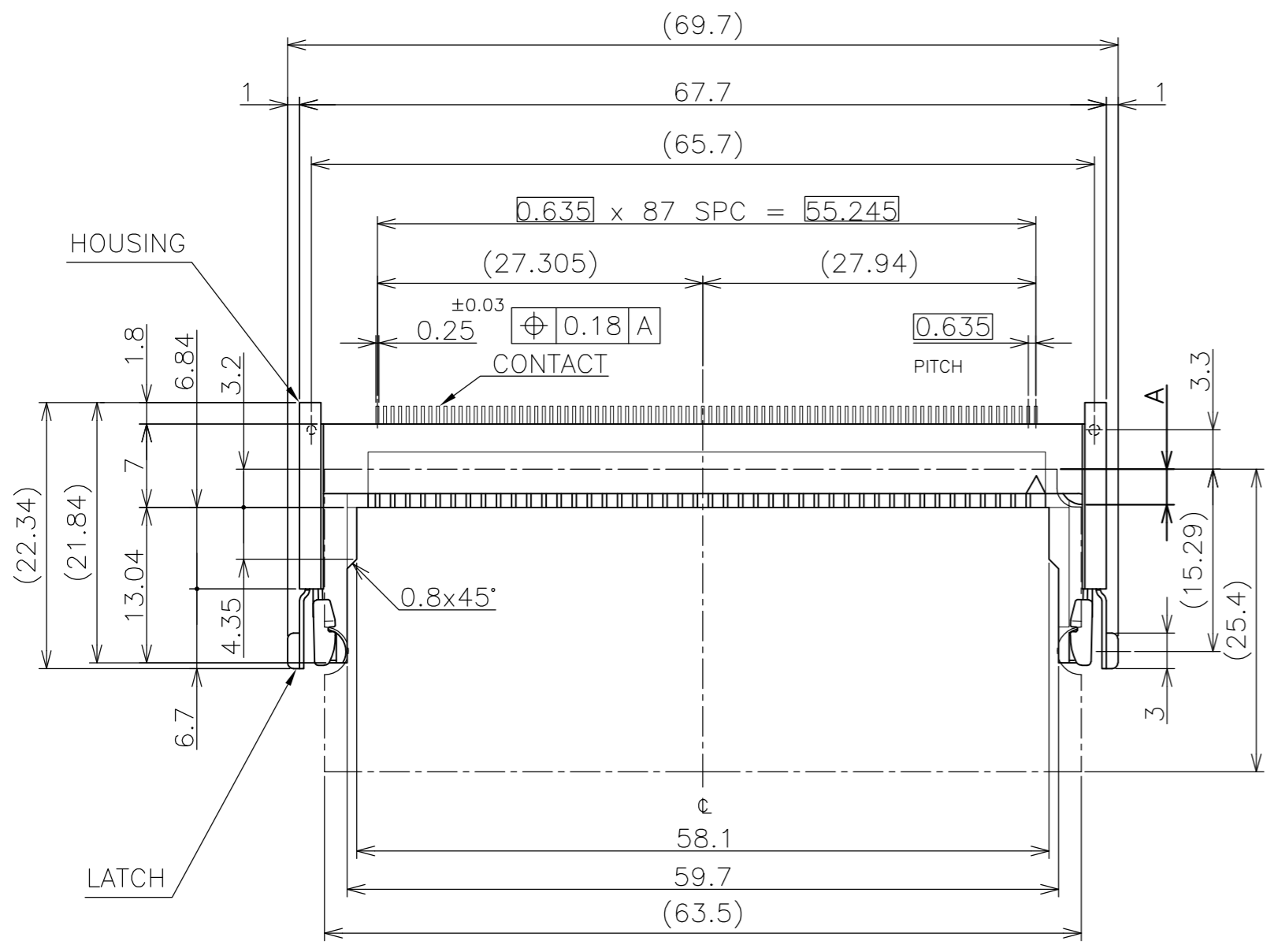
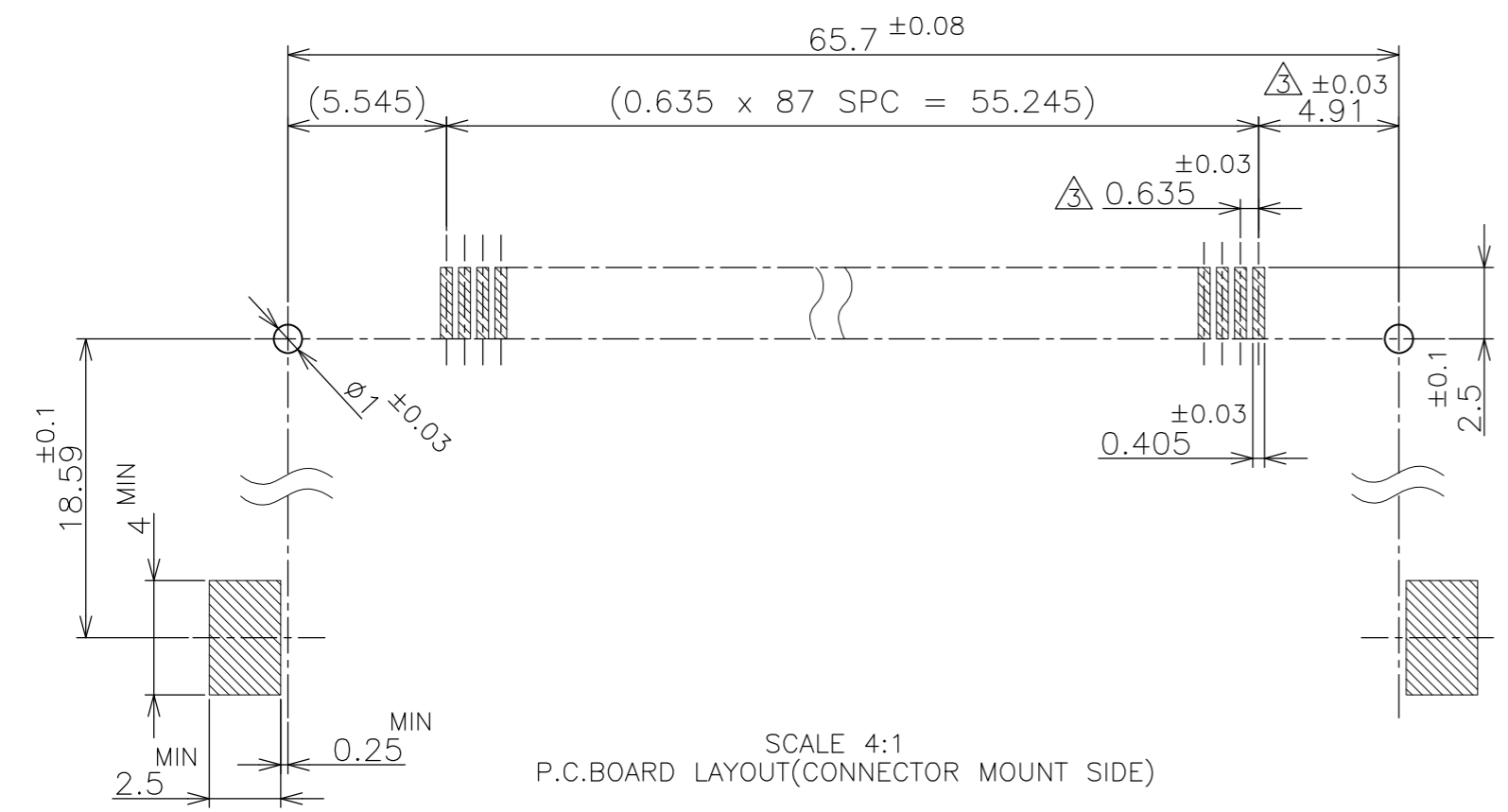
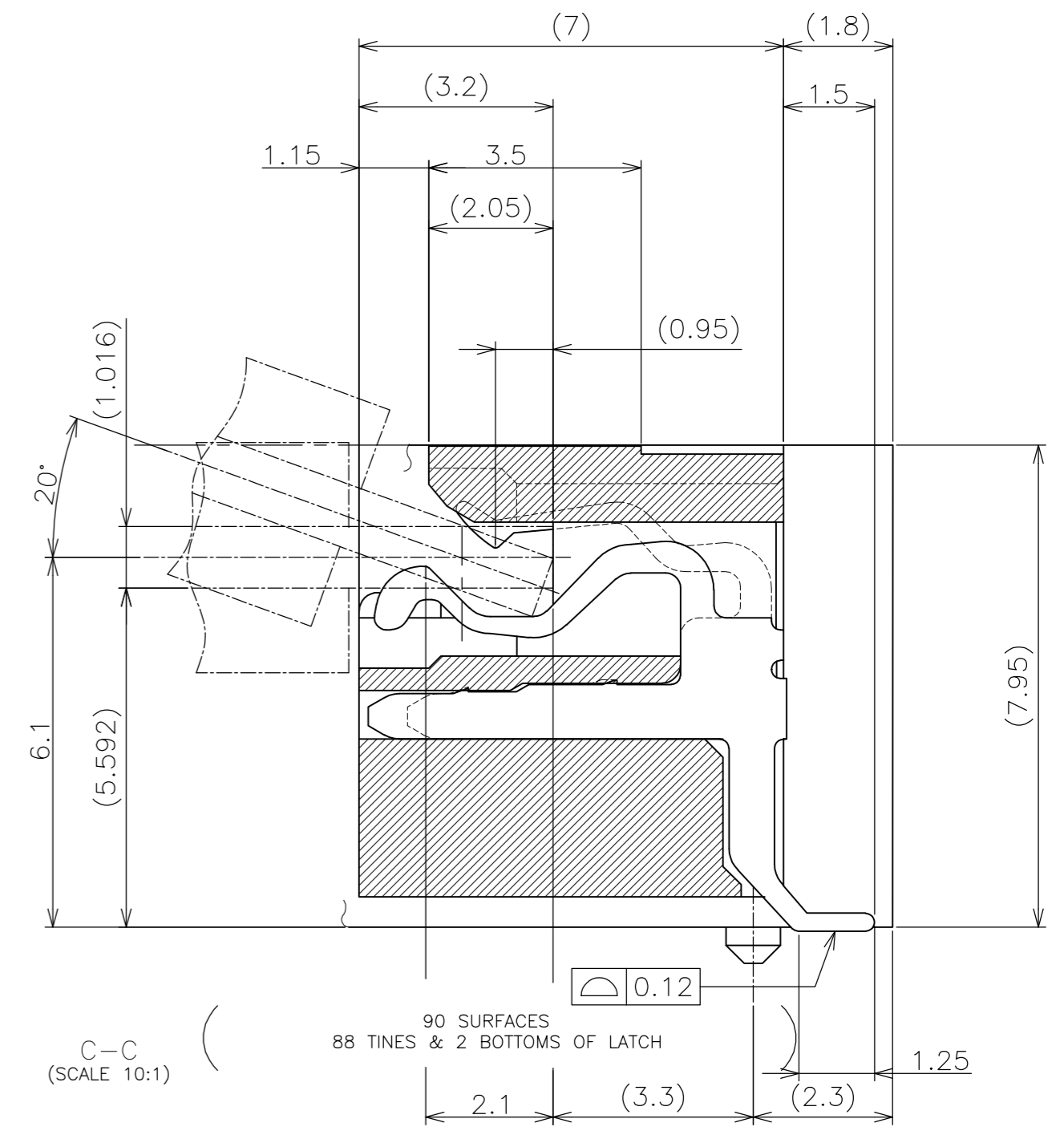
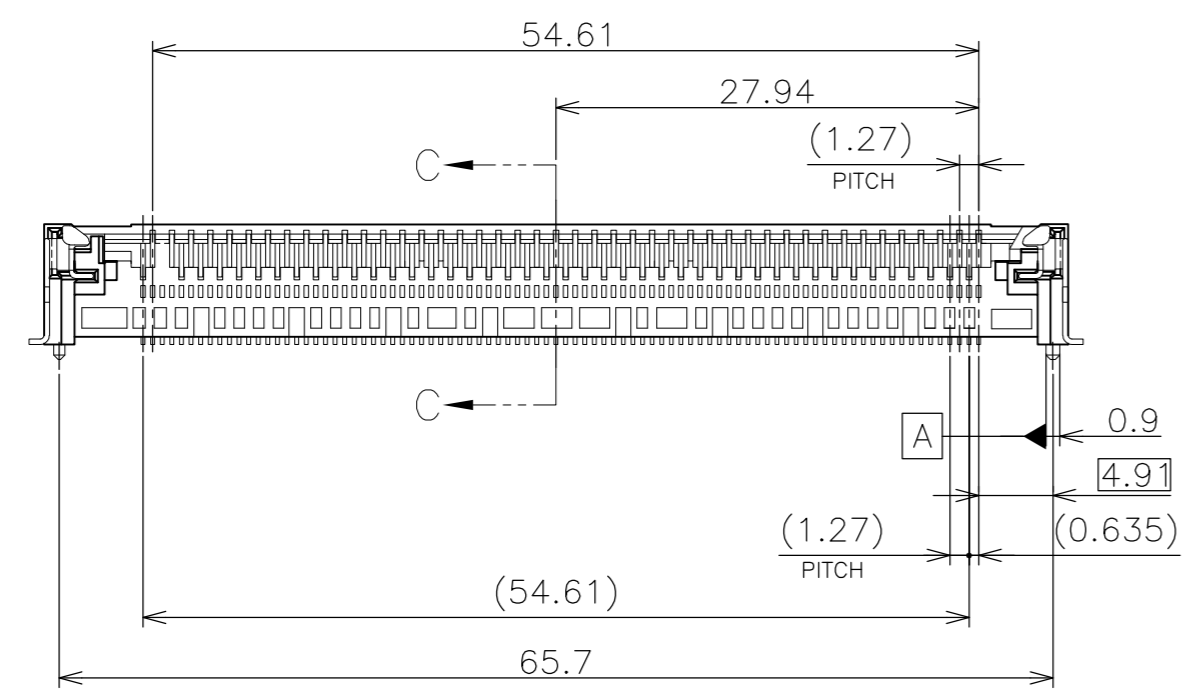


THIS DRAWING IS UNPUBLISHED. RELEASED FOR PUBLICATION MAY, 2001.
 © COPYRIGHT 2001 BY TYCO ELECTRONICS CORPORATION. ALL RIGHTS RESERVED.

LOC		DIST		REVISIONS			
P	LTR	DESCRIPTION		DATE	DWN	APVD	
	A1	REVISED	ECR-08-029319	19NOV08	T.F	K.I	
	A2	REVISED	PER ECO-09-024927	09NOV09	KK	AEG	



- MATERIAL & FINISH
 HOUSING : GLASS FILLED LCP
 CONTACT : COPPER ALLOY
 FINISH-SEE NOTES 2
 LATCH : STAINLESS STEEL. TIN PL.
 - CONTACT PLATING
 Au (0.0003) PL. AT CONTACT, TIN PL. AT
 TINE OVER Ni PL.
- ⚠ TOLERANCE : NON CUMULATIVE.
 ⚠ OBSOLETE PARTS: OBSOLETE CIS STREAMLINING PER D.RENAUD/D.SINISI



GENERAL TOLERANCE
 10 ≥ : ±0.2
 30 ≥ > 10 : ±0.25
 100 ≥ > 30 : ±0.3
 ANGLES : ±3°

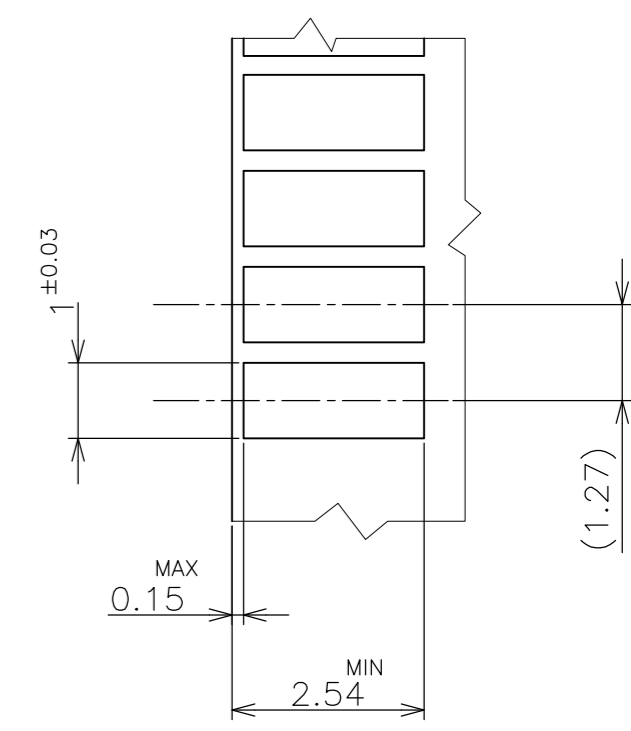
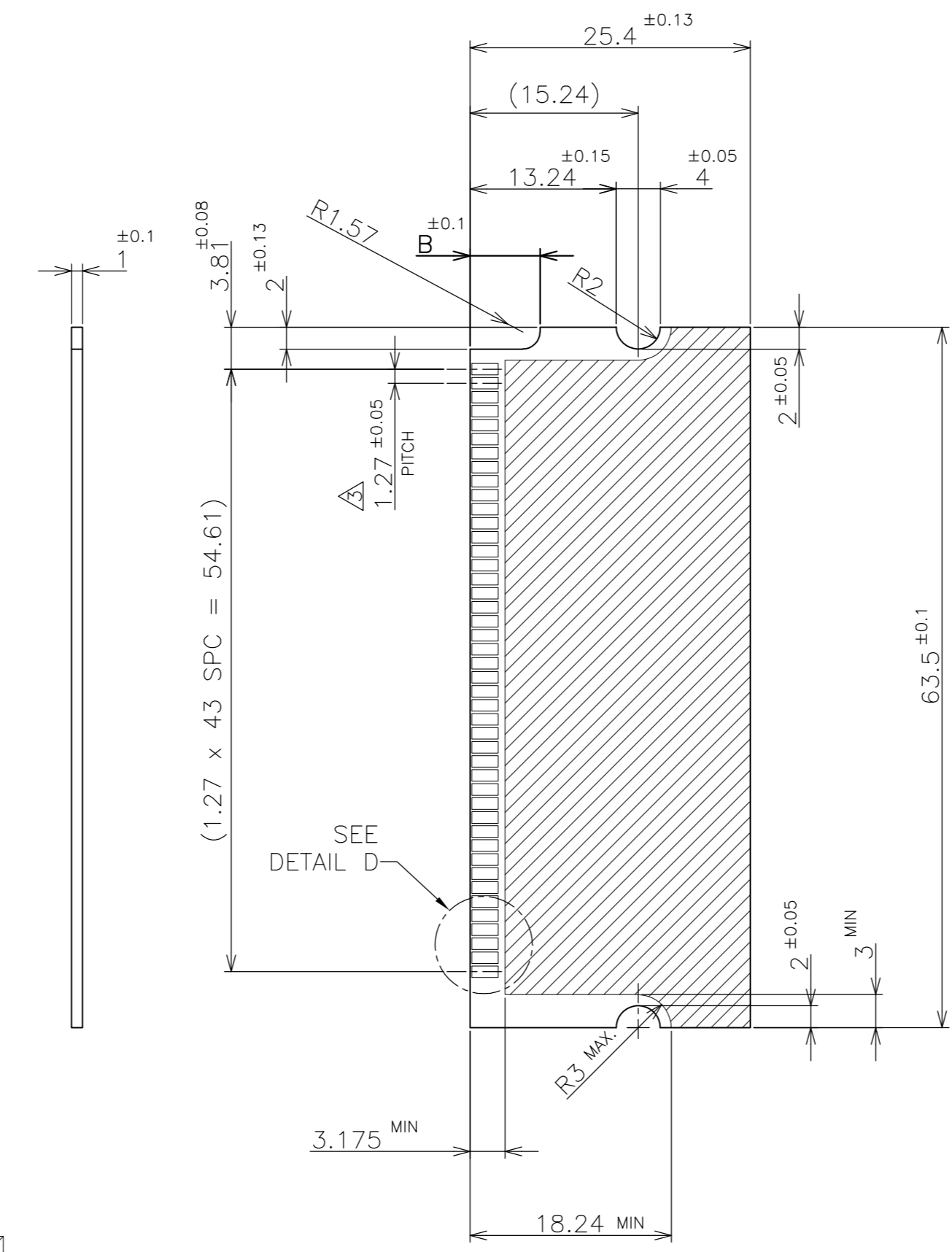
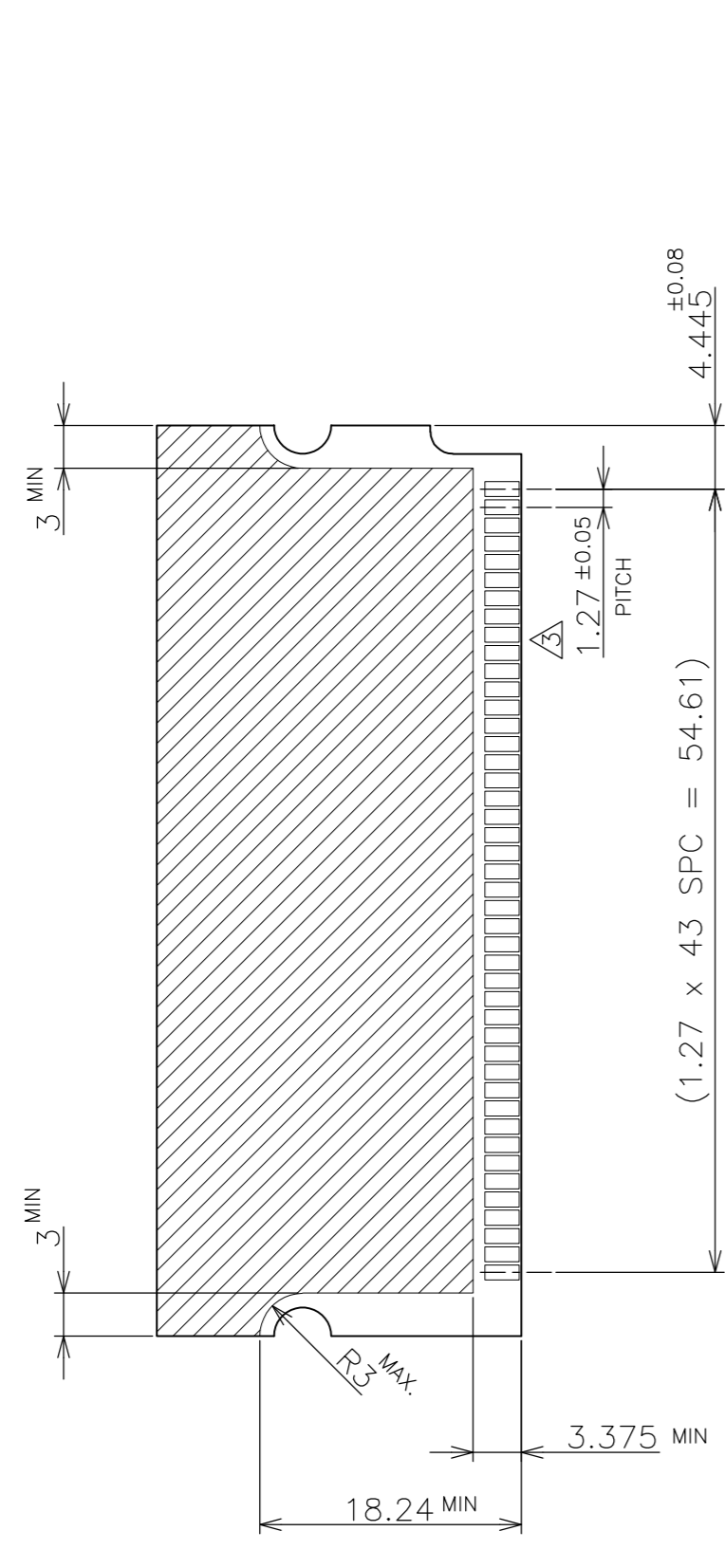
⚠ OBSOLETE	BLACK	6.15	-5316437-2
	NATURAL	2.98	5316437-1
	HOUSING COLOR	A	PART No.

THIS DRAWING IS A CONTROLLED DOCUMENT.		DWN LEO ZHOU 20APR05	Tyco Electronics Corporation	
DIMENSIONS: mm		CHK STEVEN YAO 20APR05	Kawasaki, Japan	
TOLERANCES UNLESS OTHERWISE SPECIFIED		APVD IENOMOTO 20APR05	NAME	
0 PLC ±		PRODUCT SPEC	MIII SOCKET 88P HIGH PROFILE TYPE	
1 PLC ± -		APPLICATION SPEC	108-5403	
2 PLC ± -		WEIGHT	SIZE A2	CAGE CODE 00779
3 PLC ± -		FINISH	DRAWING NO C=5316437	RESTRICTED TO
4 PLC ± -		CUSTOMER DRAWING	SCALE 2:1	SHEET 1 OF 2
ANGLES ± -			REV A2	

SCALE 4:1
 P.C. BOARD LAYOUT (CONNECTOR MOUNT SIDE)

THIS DRAWING IS UNPUBLISHED. RELEASED FOR PUBLICATION MAY, 2001.
 © COPYRIGHT 2001 BY TYCO ELECTRONICS CORPORATION. ALL RIGHTS RESERVED.

REVISIONS				
P	LTR	DESCRIPTION	DATE	APVD
-	-	SEE SHEET 1	-	-



 COMPONENT AREA

(88 PIN SMALL OUTLINE DIMM)
 RECOMMENDED DIMENSIONS OF "88 PIN SMALL OUTLINE DIMM" P.C.BOARD

6.35	5.0V
3.18	3.3V
B	TYPE

THIS DRAWING IS A CONTROLLED DOCUMENT.		DWN	Tyco Electronics Corporation Kawasaki, Japan	
DIMENSIONS: mm		CHK	NAME	
TOLERANCES UNLESS OTHERWISE SPECIFIED:		APVD	MIII SOCKET 88P HIGH PROFILE TYPE	
0 PLC	±	PRODUCT SPEC	SIZE	CAGE CODE
1 PLC	±	APPLICATION SPEC	A2	00779
2 PLC	±	WEIGHT	DRAWING NO	RESTRICTED TO
3 PLC	±	CUSTOMER DRAWING	C=5316437	-
4 PLC	±	SCALE	2:1	SHEET 2 OF 2
ANGLES	±	REV	A2	